



LOGISEAL TS TRUCK SHELTER

Logiseal TS Curtain Truck Shelter is one of the most versatile warehouse truck shelters available. It creates a tight seal on the truck edges between its opening that blocks out insects, dust and dirt and foul weather, while saving money on energy costs. Its flexible heavy duty curtain design allows a wide variety of truck and trailer sizes to be served in the loading dock, ideally with the trucks reversed directly into the door opening. It can be customized to suit a wide variety of door opening sizes as well as truck sizes, making it the perfect choice for most loading docks.

Features

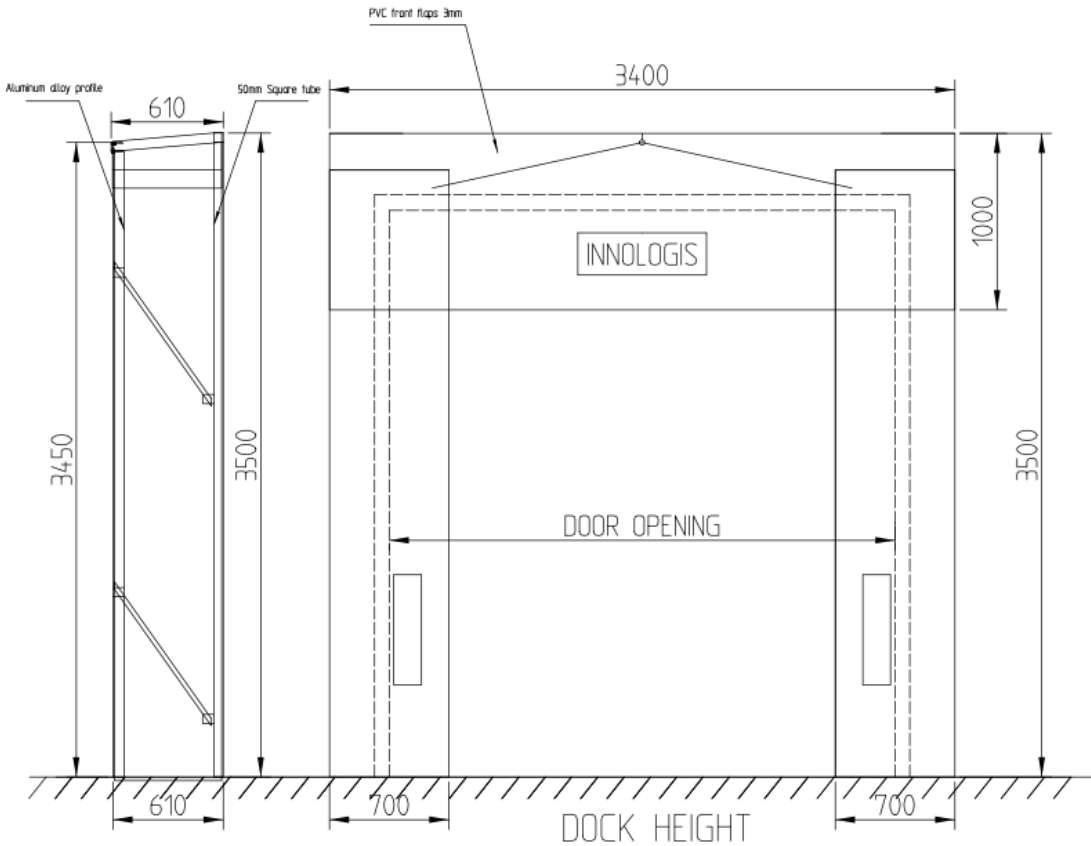
- Economical sealing solution for most non or light temperature controlled loading dock
- Requires little maintenance or service
- Long life span with tough abrasion and tear resistant Duramax 5000 vinyl fabric up to 3 mm thick
- Slits on top curtain allow material flexibility
- Retractable design supporting frames made from sturdy galvanized tubing take up accidental impact from reversing trucks
- High resistance to moisture and mould
- Yellow guide stripes on face of curtain provides visibility to reversing truck

Technical Specifications

- Door Opening Sizes : Maximum 3.0 mW x 3.0 mH opening
- Dock Height : Ideally between 1.0 - 1.2 mH serving container and trailer sized trucks
- Physical Size : 3400 mmW x 3500 mmH x 650 mmD
- Other sizes can be custom made to suit smaller trucks
- Operating Temperature : -30 C to 70 C
- Color : Black heavy duty fabric as standard
- Other sizes can be custom manufactured upon request



LOGISEAL TS Truck Shelter Arrangement



* Please adhere to our Installation Manual for the correct installation of this shelter.

Standard Specifications

- Suitable for door opening Up to 2,500W x 3,100H (mm)
- Physical Dimensions 3,400W x 3,500H x 610D (mm)
- Curtain Drop Height Fixed 1000 mm
- Fabric Material Heavy Duty Duramax PVC
- Fabric Color Black with Yellow safety stripes
- Base Aluminium Alloy and Steel Profiles
- Arm Retractable Push-Back design

Options

- Steel Rain Canopy
- Steel Truck guards
- Bottom Draft Pads
- Wear Flaps on top curtains
- Extended Projection



Against manufacturing or construction defects



POWERING YOUR LOGISTICS